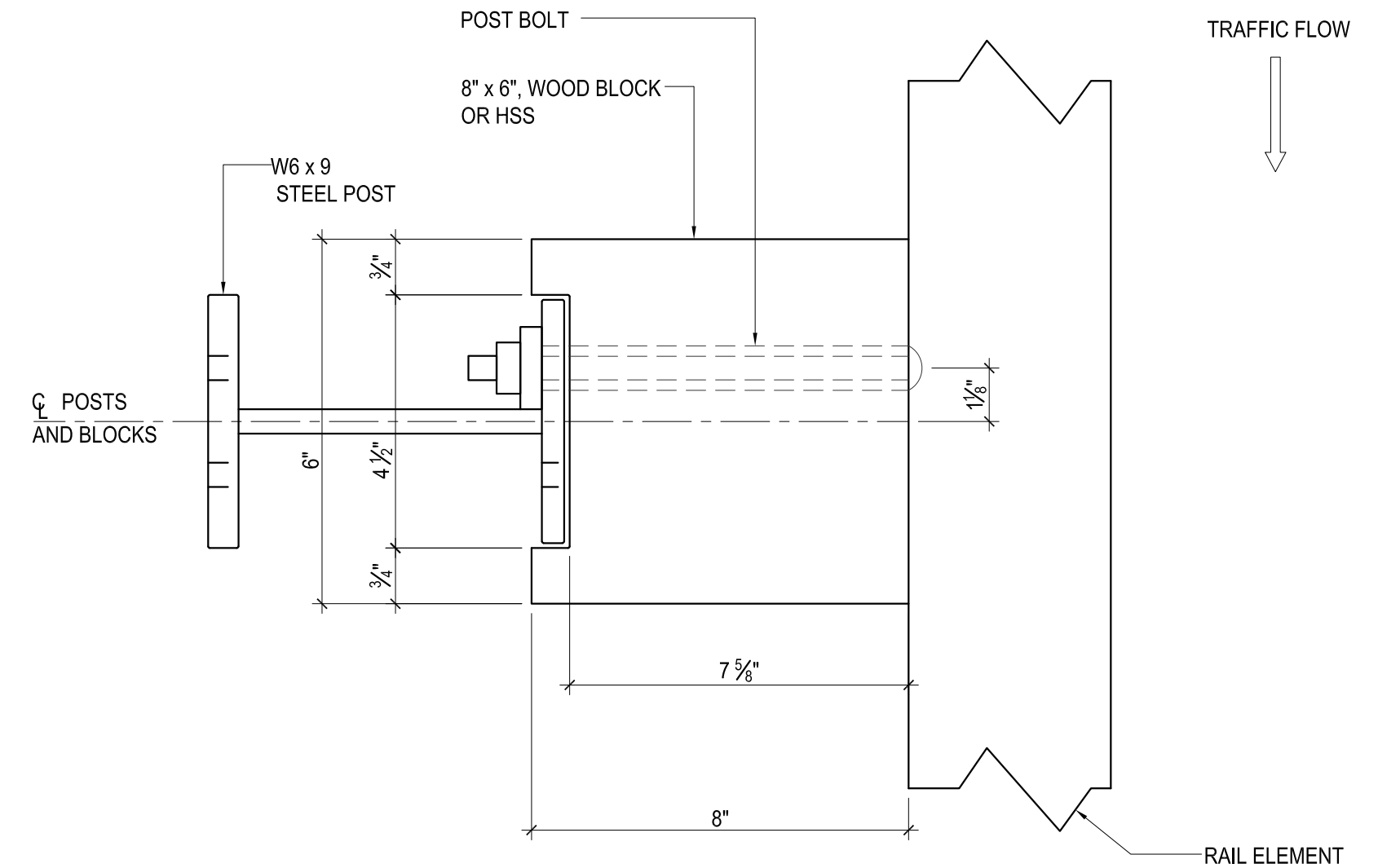
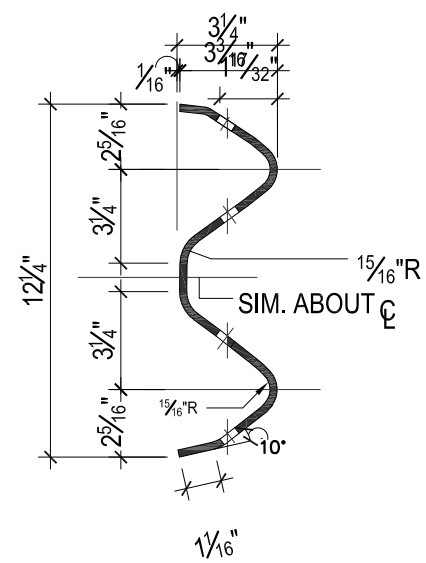
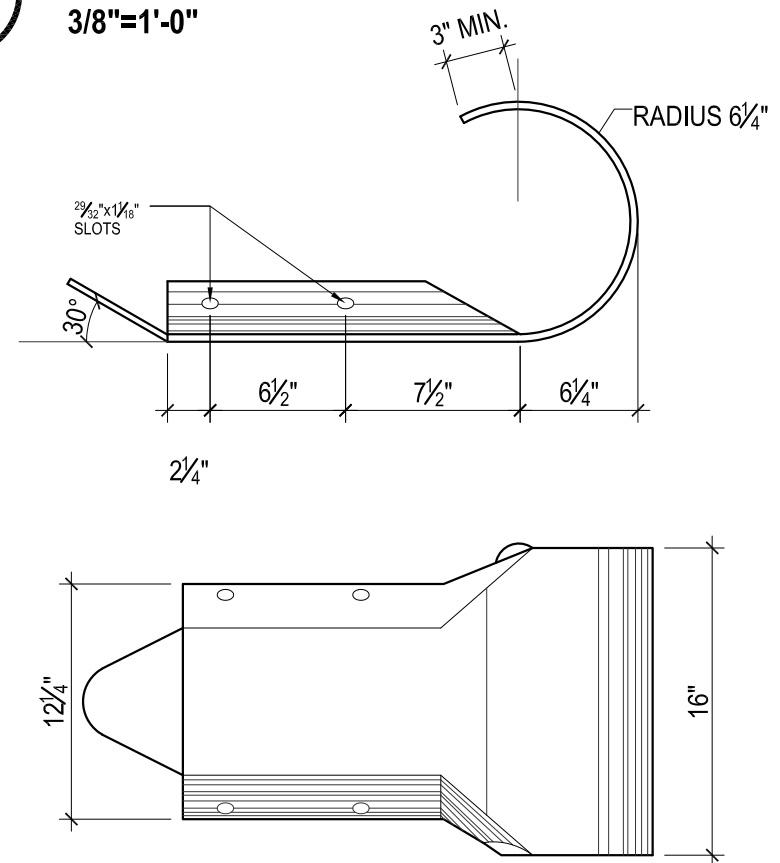
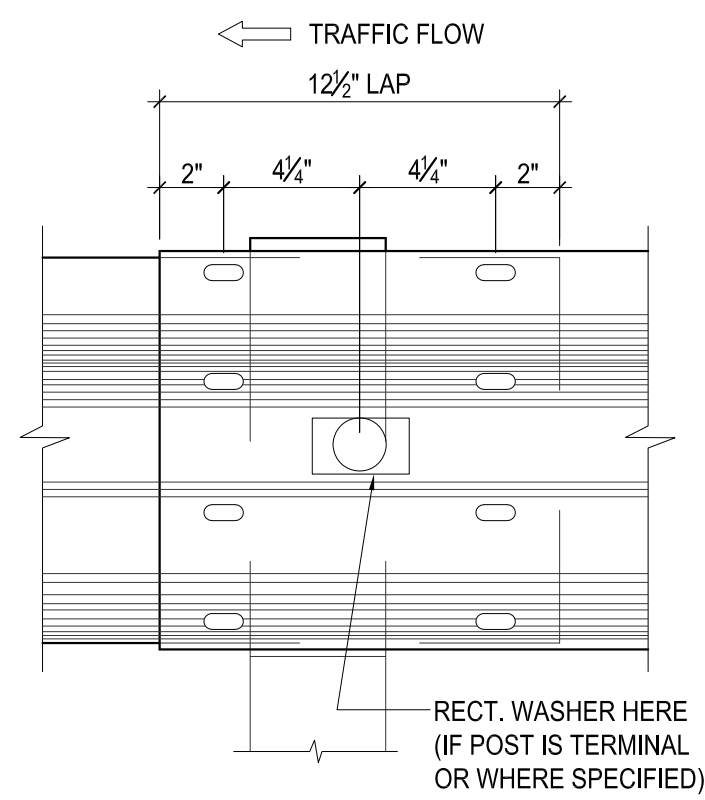


D1 TYP. GUARDRAIL DETAIL
3/8"=1'-0"



C1 SPLICE DET.
NTS

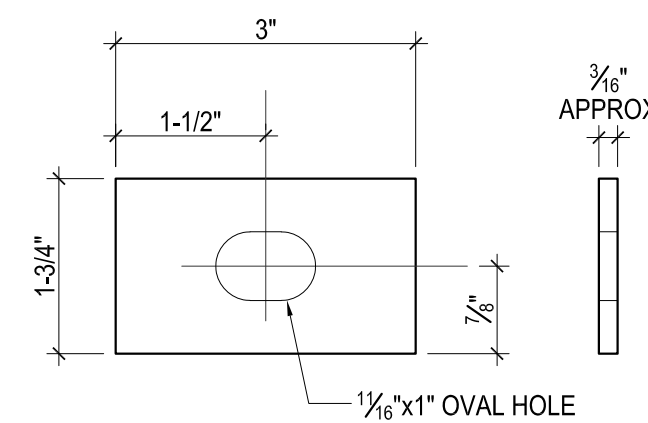
C2 END PIECE DET.
NTS

C3 THROUGH RAIL ELEMENT
3"=1'-0"

C4 STEEL GUARD RAIL POST
NTS

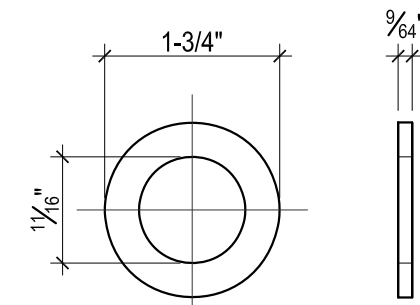
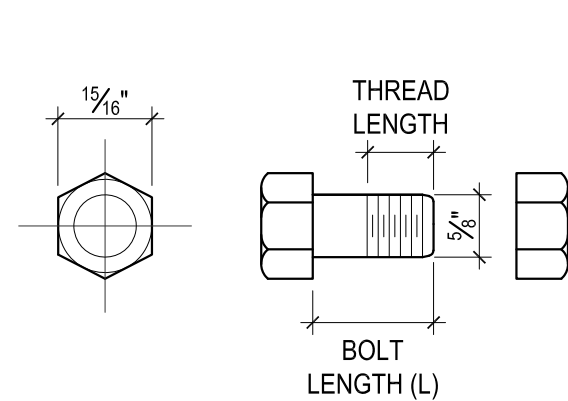
NOTE:
IF SLOTS IN SPECIAL END SHOE ARE 3" LONG
TYPE A WASHERS ARE REQ'D UNDER SPLICE BOLT
HEADS & UNDER NUTS WITH 2" LONG SPLICE BOLTS.
IF END SHOE SLOTS AREA 1-1/8" LONG NORMAL
SPLICE CONNECTION

B2 BUTTON HEAD SPLICE BOLT
NTS



NOTE:
FOR USE AT TERMINAL POST OR
WHERE SPECIFIED

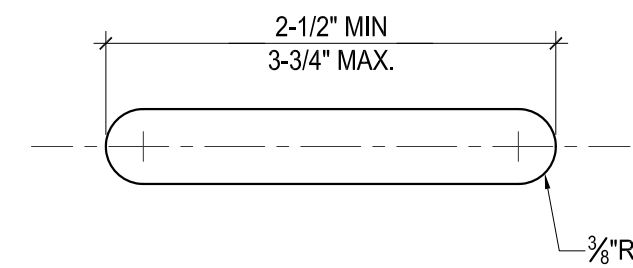
B1 TYPE A WASHER (GALV.)
NTS



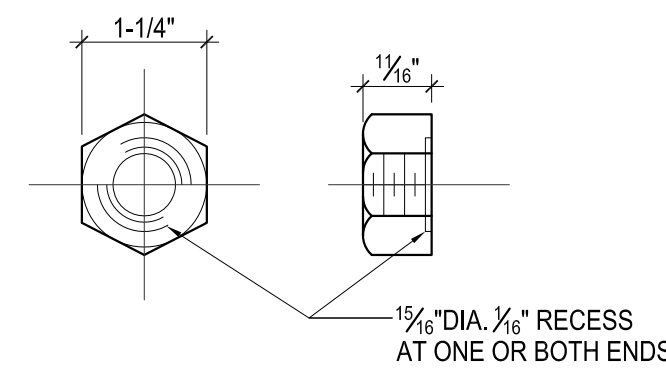
NOTE:
REQ'D UNDER 5/8\"/>

A2 STEEL WASHER (GALV.)
NTS

B3 RECTANGULAR WASHER (GALV.)
NTS



A3.1 POST BOLT SLOT
NTS



A4 RECESS NUT
NTS

A1 5/8\"/>

L	THREAD LENGTH
1-1/4"	FULL LENGTH
2"	1-1/2" MIN.
9-1/2"	4" MIN.
18"	4" MIN.
25"	4" MIN.

A3 SPLICE BOLT SLOT
NTS

